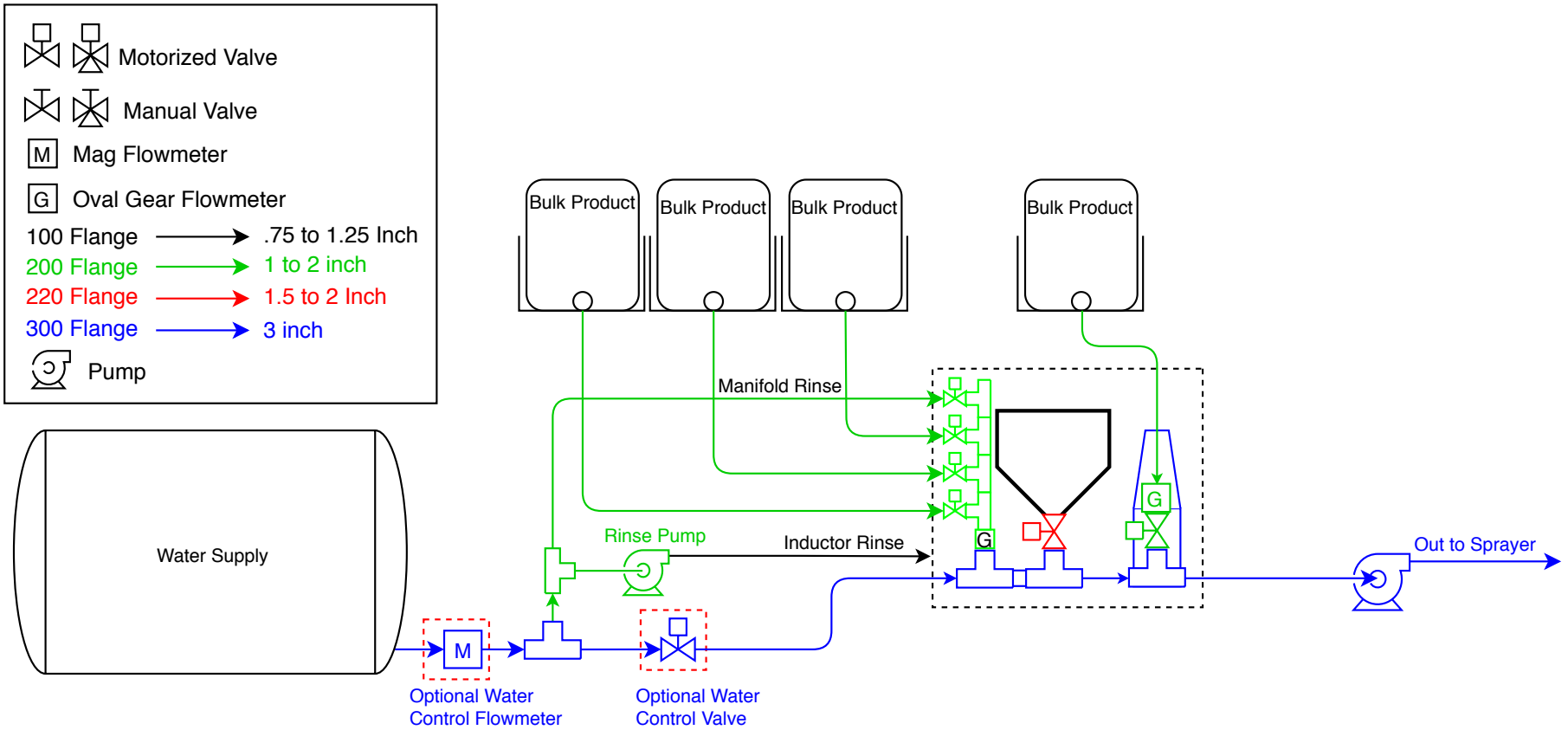


Mixmate Fusion with 4 Inputs Plumbing Diagram



Mixmate Fusion with a three input stack and one single input. All chemicals are measured with gear type flowmeters. Up to two bulk chemicals will be measured simultaneously while using the inductor. Consult your dealer for variations to this configuration.

The three inch valve and flowmeter to automatically measure and control the water in the mix. Included in the price below.

The Rinse Pump supplies pressurized rinse water to the Inductor and jug rinse.
 Kits: K91002, K41, K54, K34, K52 \$31,475 Prices subject to change.