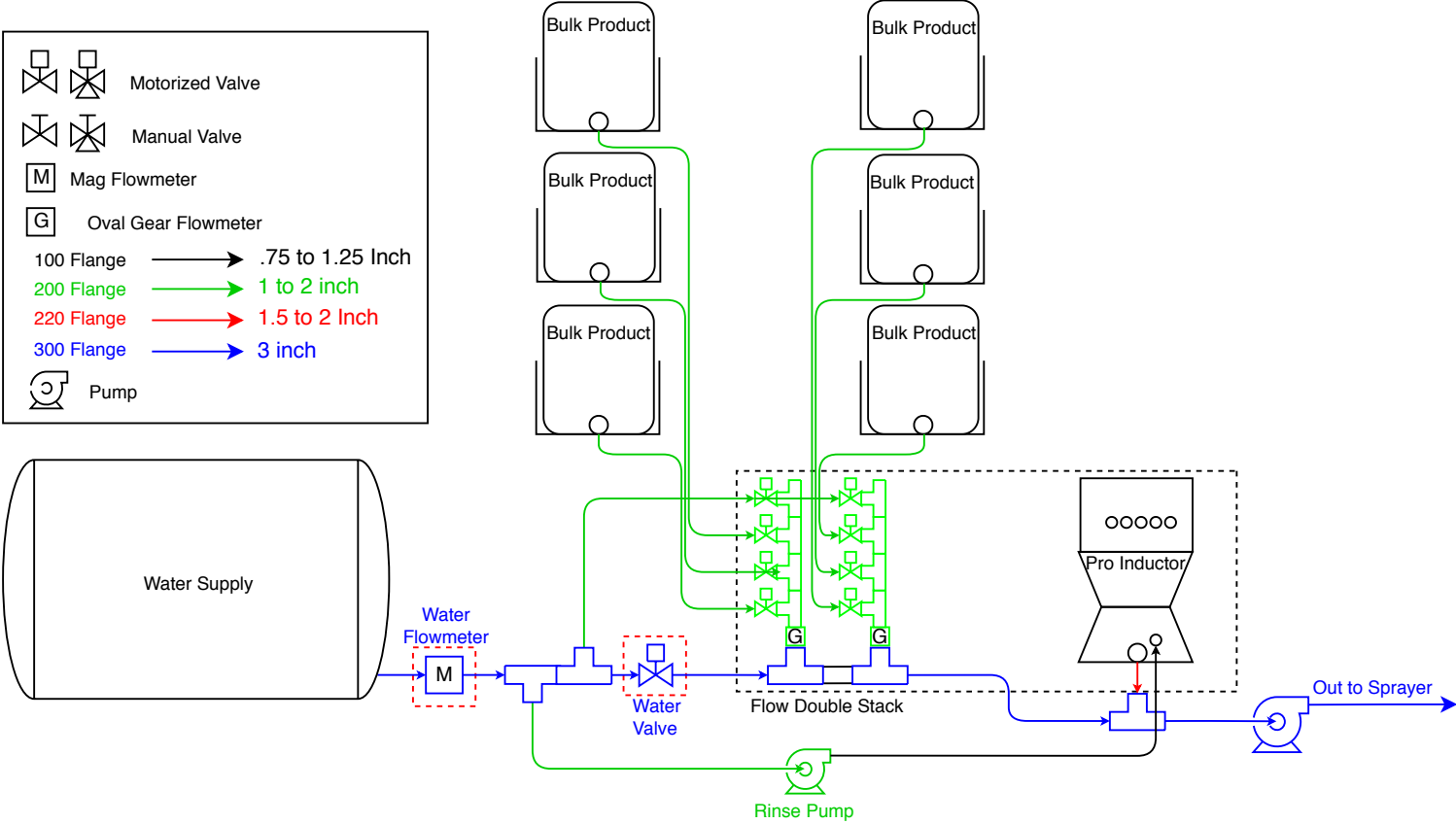


# Mixmate Pro 6 Input Double Stack Bulk Plumbing Diagram

Diagram PR-6



Mixmate Pro Inductor with a six input Double Stack. Chemicals connected to a stack are measured with gear type flowmeters. Chemicals in the inductor are measured by weight. Up to two bulk chemicals will be measured simultaneously while using the inductor. Consult your dealer for variations to this configuration.

The three inch valve and flowmeter to automatically measure and control the water in the mix. Included in the price below.

Kits: K91005, K34, K52 \$43,977 Prices subject to change.